



# Taylor Made SYSTEMS™

## Door Systems

ENGINEERED FOR QUALITY & PERFORMANCE

A Member of  
THE TAYLOR MADE  
GROUP™

[www.taylormarine.com](http://www.taylormarine.com)  
...your window to pleasurable boating!



*... your doorway  
to pleasurable boating!*

Taylor Made  
*solutions...*  
The OEM Advantage

# Ultra Flush Glass Salon Doors

STAINLESS STEEL & ALUMINUM SYSTEMS



Custom Sizes

## Features & Benefits

- Full tempered safety glass with black-out border
- Entire door system is fabricated of marine grade 316L stainless steel
- All framing components have rolled edges to prevent sharp borders at the joints
- Raised roller track eliminates the possibility of debris buildup in the tracks and makes cleaning the bottom sill convenient
- Lock hardware is isolated from and sealed to glass with rubber gaskets
- Adjustable stainless steel rollers, for corrosion resistance
- Engineered with a knock-down frame for convenient shipping and assembly
- Design of door unit is adaptable to various layout options
- Increased door stiffness from a fully bonded glazing system
- Each door panel is fully welded for strength and ensured watertightness
- Optional aluminum frame construction
- Sliding insect screen for comfort



Interior Latch With Lock Feature



Exterior Latch With Lock Feature

# Ultra Salon Doors

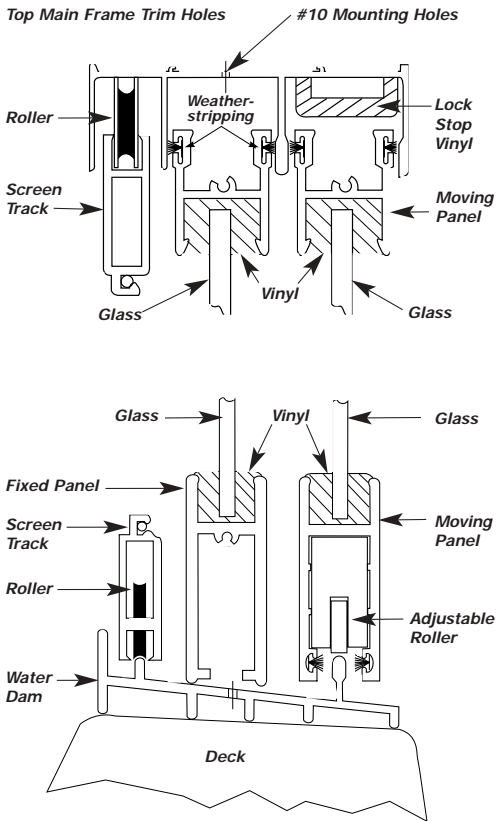
ALUMINUM MECHANICAL SYSTEMS

Taylor★Made® salon doors feature 6063 mechanical frame construction. Engineered with an adjustable roller track system, with drain channels and water dams in conjunction with our EPDM sponge gaskets, vinyls and weatherstripping for ensured watertightness and reliable fit. Taylor★Made® weather resistant polyester powder coatings are available in black, white or sparkling silver. Custom sizes, shapes and designs for OEM boatbuilders. Sliding framed insect screen door available. Inside/outside locking feature is standard, secondary keyless latch is optional. Taylor★Made® tempered safety-tinted glass for privacy.



Custom Sizes

## Bulkhead Door Cross Sections



Drawings not to scale.

Salon Door

## Features & Benefits

- Incorporates easily adjusted rollers to square the door in the opening
- Locking and latching hardware operates both inside and out, meeting ISO requirements
- Sliding framed insect screen door for comfort
- Engineered with a knock-down frame for convenient shipping
- Design of door unit is adaptable to various layout options
- Available in curved glass configuration



Doors available in the following configurations to your specifications  
 OX – 1 Fixed/1 Opening      OXO – 2 Fixed/1 Opening      OXXO – 2 Fixed/2 Opening

# Vista Companionway Doors

BI-FOLD & SLIDING SYSTEMS



Vista bi-fold and sliding companionway doors are engineered with heavy punched mechanical joints for added strength. The aluminum frame is finished in a weather resistant polyester powder coating. Taylor★Made® tempered safety glass or acrylic panels are optional, with custom shapes, sizes, and designs available upon request. EPDM sponge gaskets and vinyl for watertightness. The Vista companionway doors are engineered for fit, finish, and flexibility, giving the OEM the advantage...with Taylor★Made® solutions. Available with stainless trim and sliding insect screens.

Custom Designs Available Upon Request

## Features & Benefits

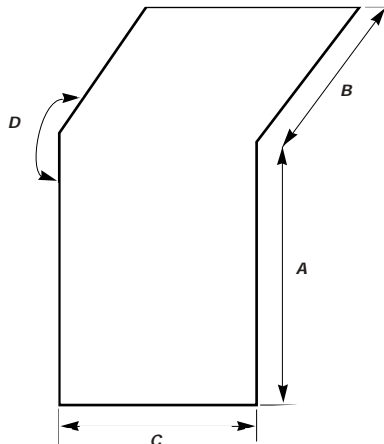
- Taylor★Made® tempered safety glass or acrylic panels optional
- Aluminum frame finished in weather resistant polyester powder coating
- Custom shapes, sizes and designs available upon request
- Pre-drilled frame
- Heavy-duty piano hinge for bi-fold option
- EPDM sponge gasket for watertightness
- Locking latch is standard

## VISTA SLIDING COMPANIONWAY DOOR DIMENSIONS

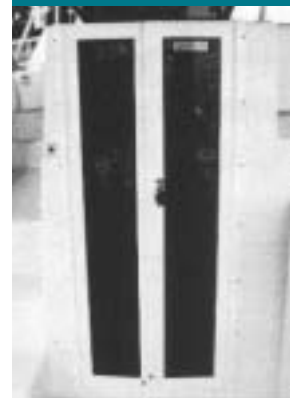
MODEL	A	B	C	D
400	41-7/8"	22-1/4"	25-3/4"	105"
410	30"	41-7/8"	25-3/4"	105"

## When Ordering Door Frame Extrusions, Please Send The Following Information:

1. Cut-out size
  - A. Bottom to bend
  - B. Depth
  - C. Width
  - D. Degree of angle
2. Bi-fold or single panel door, hinged port or starboard
3. Bi-fold or single panel hatch
4. Color of frame
5. Color and thickness of acrylic



## CUSTOM SIZES



Custom sliding and bi-fold companionway doors are designed and built to each boatbuilder's specifications. Our one-piece, completely assembled sliding or bi-fold door offers easy installation.



Sliding Companionway  
Boat Types – All  
Area IV  
Design Category A-D

# Vista Acrylic Doors & Components

RECTANGULAR, OVAL & CUSTOM SHAPES

## Features & Benefits

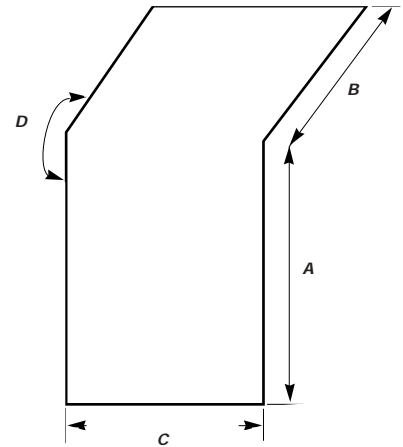
- Smoked, white or custom acrylic panels optional
- Optional stainless steel or aluminum piano hinges
- Mechanical or welded aluminum pre-drilled systems available
- Acrylic edges machine buffed for ensured quality
- EPDM sponge gasket for watertightness
- Locking latch is standard
- Custom shapes, sizes and designs available upon request
- Interior or exterior doors available
- Single hinge, bi-fold and sliding doors available upon request
- Innovative aluminum track with nylon slide mechanism prevents twisting and binding
- Radiused or mitered corners optional



Custom Sizes

## When Ordering Door Frame Extrusions, Please Send The Following Information:

1. Cut-out size
  - A. Bottom to bend
  - B. Depth
  - C. Width
  - D. Degree of angle
2. Bi-fold or single panel door, hinged port or starboard
3. Bi-fold or single panel hatch
4. Color of frame
5. Color and thickness of acrylic



## Console Windscreens

- Continuous cast acrylic construction
- Custom shapes, sizes and colors available upon request
- Optional mounting systems available

Taylor Made  
*solutions...*  
The OEM Advantage

---

Door Systems



## TAYLOR MADE SYSTEMS SALES OFFICES

- NEW YORK** 93 South Boulevard, Gloversville, NY 12078  
Tel: 518-773-0636 Fax: 518-773-2919  
Andy Coco acoco@taylormadesystems.com
- FLORIDA** 2750 Kansas Street, Oviedo, FL 32765  
Tel: 518-339-8101 Fax: 407-366-6864  
Rob Luxon rluxon@taylormadesystems.com
- GEORGIA** 4705 Hummingbird Lane, Valdosta, GA 31602  
Tel: 941-720-3438  
Alex Clark aclark@taylormadesystems.com
- INDIANA** 1101 Stonebraker Drive, Kendallville, IN 46755  
Tel: 941-713-1635 Fax: 260-347-4618  
Dan Serafini dserafini@taylormadesystems.com
- MINNESOTA** 903 Lilac Lane, Little Falls, MN 56345  
Tel: 320-630-6282  
Doug Bednarek dbednarek@taylormadesystems.com
- TENNESSEE** 924 Hopper Lane, Knoxville, TN 37932  
Tel: 518-339-5935 Fax: 865-966-6296  
Don Puckett dpuckett@taylormadesystems.com
- UNITED KINGDOM** **TREND MARINE PRODUCTS LIMITED**  
Catfield, Gt. Yarmouth, Norfolk NR29 5BG, UK  
Tel: +44(0)1692 581307 Fax: +44(0)1692 582993  
Jeremy Usher jeremy@trendmarine.com
- US Sales Office**  
93 South Boulevard, Gloversville, NY 12078  
Tel: 518-773-0636 Fax: 518-773-4604  
Nick Riska nriska@taylormadesystems.com
- IRELAND** **TAYLOR MADE GLASS & SYSTEMS, LTD.**  
Templemore, County Tipperary, Ireland  
Tel: 353-504-31411 Fax: 353-504-31986  
Eric Wagner ewagner@taylormadesystems.com

### TAYLOR MADE SYSTEMS

**Head Office — New York Facility**  
93 South Boulevard, Gloversville, NY 12078  
Tel: 518-773-0636 Fax: 518-773-2919

#### Bradenton Facility

1900 47th Terrace East, Bradenton, FL 34203  
Tel: 941-747-1900 Fax: 941-749-5000

#### Indiana Facility

1101 Stonebraker Drive, Kendallville, IN 46755  
Tel: 260-347-1368 Fax: 260-347-4618

### AMERITEX FABRIC SYSTEMS

1900 47th Terrace East, Bradenton, FL 34203  
Tel: 941-747-1900 Fax: 941-749-5000

### TAYLOR MADE GLASS SYSTEMS

**Ohio Facility**  
407 N. Maple Street, Payne, OH 45880  
Tel: 419-263-2313 Fax: 419-263-2661

#### Indiana Facility

1101 Stonebraker Drive, Kendallville, IN 46755  
Tel: 260-347-1368 Fax: 260-347-4618

### TAYLOR MADE GLASS & SYSTEMS

Templemore, County Tipperary, Ireland  
Tel: 353-504-31411 Fax: 353-504-31986

### TAYLOR MADE SYSTEMS PACIFIC

**Auckland Facility**  
35 Roscommon Road, Papatoetoe, Auckland, New Zealand  
Tel: 0064-9-278-9816 Fax: 0064-9-277-6771

#### Brisbane Facility

43 Randall Street, Slacks Creek, Brisbane, 4124, Queensland, Australia  
Tel: 0061-7-3808-1513 Fax: 0061-7-3808-5025

### TREND MARINE PRODUCTS LIMITED

Catfield, Gt. Yarmouth, Norfolk NR29 5BG, UK  
Tel: +44(0)1692 581307 Fax: +44(0)1692 582993



**Taylor Made**  
**SYSTEMS®**

Taylor Made Systems  
Taylor Made Group, LLC  
93 South Blvd.  
Gloversville, NY 12078

Tel: 518-773-0636  
Fax: 518-773-2919  
www.taylormadesystems.com



**THE**  
**TAYLOR MADE**  
**GROUP™**

**TAYLOR MADE GROUP, LLC**  
Gloversville, New York  
www.taylormadegroup.com  
Tel: 518-725-0681

**TAYLOR MADE PRODUCTS**  
*Marine aftermarket products & services*  
Gloversville, New York  
www.taylormadeproducts.com  
Tel: 518-773-9400

**TAYLOR MADE SYSTEMS & WATER BONNET**  
*Marine glazing systems*  
Gloversville, New York  
Kendallville, Indiana • Bradenton, Florida  
www.taylormadesystems.com  
Tel: 518-773-0636

**AMERITEX FABRIC SYSTEMS**  
*Engineered fabric enclosures*  
Bradenton, Florida  
www.ameritexfabrics.com  
Tel: 941-747-1900

**TAYLOR MADE GLASS SYSTEMS**  
**TAYLOR MADE GLASS OHIO, LLC**  
*Custom engineered glass and window systems*  
Payne, Ohio • Kendallville, Indiana  
www.taylormadeglass.com  
Tel: 419-263-2313

**TAYLOR MADE GLASS & SYSTEMS, LTD.**  
*Curved & tempered glass*  
Templemore, County Tipperary, Ireland  
www.taylormadeglass.com/templemore  
Tel: 353-504-31411

**TREND MARINE PRODUCTS, LTD.**  
*Windshield, door & roof systems*  
Catfield, Great Yarmouth, United Kingdom  
www.trendmarine.com  
Tel: +44(0)1692 581307

**TAYLOR MADE SYSTEMS PACIFIC**  
*Marine glazing systems*  
Auckland facility:  
Papatoetoe, Auckland, New Zealand  
www.taylormarine.co.nz  
Tel: 0064-9-278-9816

Brisbane facility:  
Brisbane, Queensland, Australia  
www.taylormadesystems.com.au  
Tel: 0061-7-3808-1513

**TAYLOR MADE CUSTOM PRODUCTS**  
*Custom & retractable awnings*  
Gloversville, New York  
www.taylormadecustomproducts.com  
Tel: 518-725-2624

*Over 100 years of service & innovation*  
**www.taylormadegroup.com**

Taylor★Made®, Taylor Made Systems®, The Taylor Made Group™ and product names, as indicated, are trademarks or registered trademarks of Taylor Made Group, LLC in the United States and in other countries. Other product names are the trademarks or registered trademarks of their respective owners.

©2011 Taylor Made Group, LLC